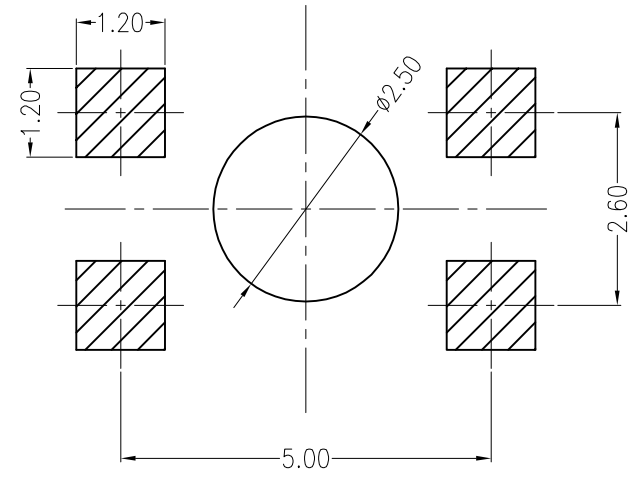
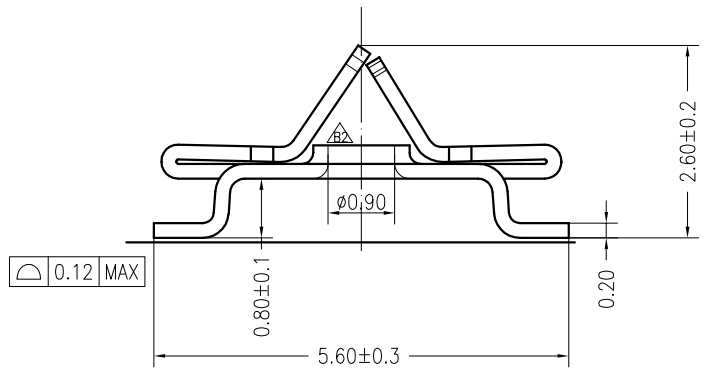
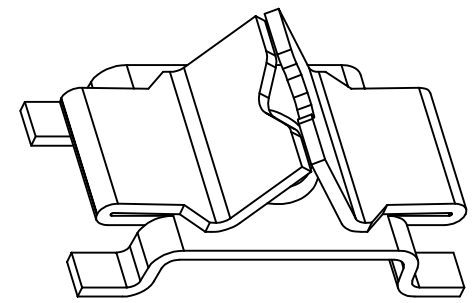
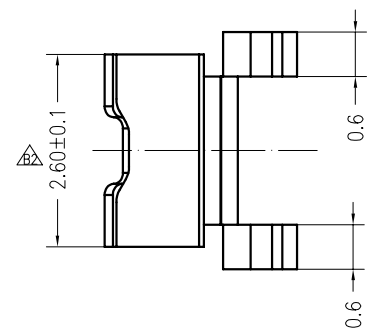
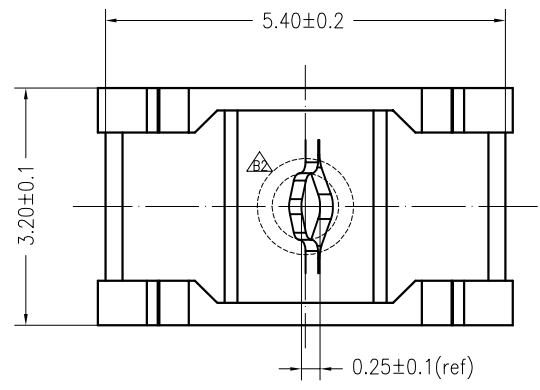


REV	ECN No.	DESCRIPTION	DESIGN	DATE
B0		Release	蒋建银	2018.04.18
B2		更改进线口形状为圆孔, 簧片内增加凸台, 宽度1.8位置改为2.6	蒋建银	2018.08.21



SUGGESTED PCB LAYOUT

**主要技术参数 Main Specifications**

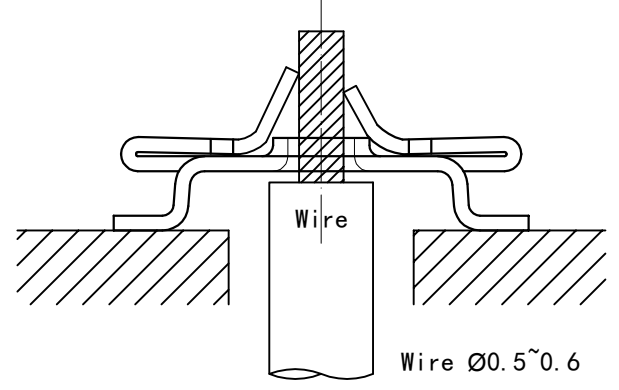
- 线数 (Poles): 01
- 接触电阻 (Contact resistance): ≤20mΩ
- 额定电压 (Rated voltage): 250 V AC DC
- 额定电流 (Rated current): 1.0A AC DC
- 温度范围 (Temperature Range): -45°C ~ +125°C

**ORDER INFORMATION:**

**L068K-01-000B1-R-2**

PART No. \_\_\_\_\_  
 No. FOR CIRCUITS: \_\_\_\_\_  
 01  
 PLASTIC MATERIAL: \_\_\_\_\_  
 000=No plastic parts

NO. 2: 无泡点  
 PACKAGING:  
 R=REEL  
 P=PE  
 METAL CODE:  
 1=PHOSPHORBRONZE  
 PLATING:  
 B=MATTE Sn



Assembly Layout

ITEM	COMPONENT	Q'TY	MATERIAL	FINISH
A	CONTACT	1 PCS	PhosphorBronze	MATTE Sn-plated

X.±0.5		X.±5'	USE: CUSTOMER	TITLE: -		
.X±0.3		.X±2'		APPD: 邵敬和	PART NO.: L068K-01-000B1-R-2	
.XX±0.25		.XX±1'			CHKD: 田峰	DWG NO.: JKUN-GCCP-1142
---		---		DR: 蒋建银		SCALE 1 : 1

**JKUN 温州健坤接插件有限公司**  
**WENZHOU JKUN CONNECTOR CO., LTD.**