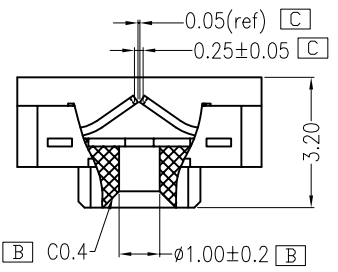
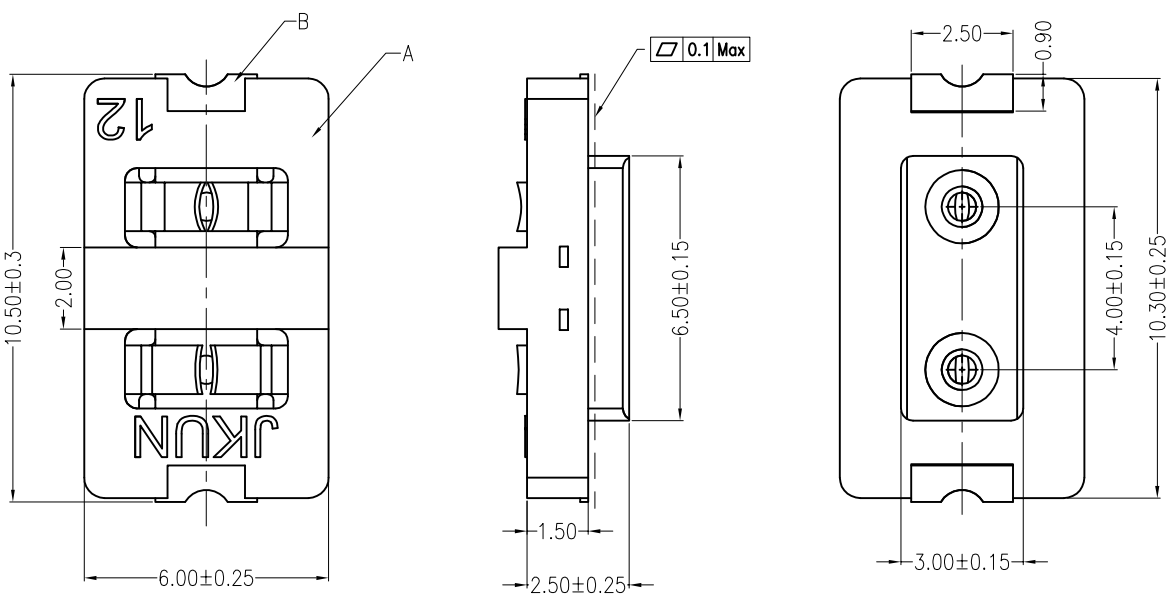


A B C D E F

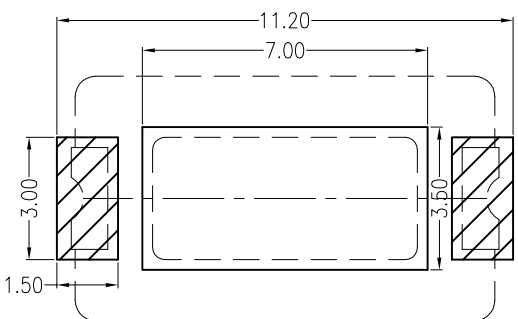
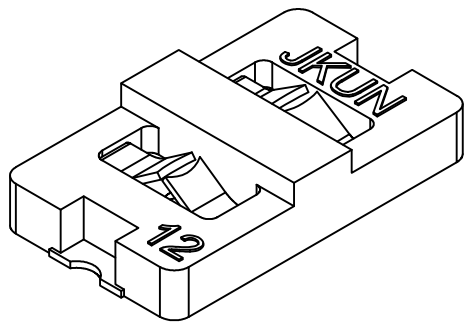
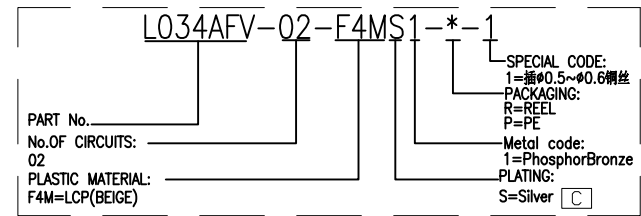
REV	DESCRIPTION	DESIGN	DATE
A	Release	吴丹平	2017.03.14
B	改善因线插入时簧片翘起	邵敬和	2017.05.10
C	电镀亮锡改成镀银 卡线处结构变更	吴丹平	2017.08.05
D	额定电压125V变更为275V	周秀龙	2017.11.16



**主要技术参数 Main Specifications**

线 数 (Poles): 02 to 04  
 接触电阻 (Contact resistance):  $\leq 20m\Omega$   
 绝缘电阻 (Insulation resistance):  $\geq 1000M\Omega$   
 额定电压 (Rated voltage): 275V AC DC   
 额定电流 (Rated current): 1.0A AC DC  
 耐 电压 (Withstand Voltage): 1000V AC/minute  
 温度范围 (Temperature Range): -40°C ~ +120°C

**ORDER INFORMATION:**



Board Layout  
General Tolerance:  $\pm 0.05$

ITEM	COMPONENT	Q'TY	MATERIAL	FINISH
C				
B	CONTACT	2 PCS	PhosphorBronze	Silver-plated
A	HOUSING	1 PCS	LCP	UL 94V-0, COLOR:BEIGE

<b>JKUN 温州健坤接插件有限公司</b> WENZHOU JKUN CONNECTOR CO., LTD.			TITLE: 4.0Pitch 180'wafer smt type	
X.±0.35	X.±	USE: MANUFACTURE APPD: 邵敬和 CHKD: 田峰 DR: 蒋建银	PART NO.:	
.X±0.25	.X±		L034AFV-02-F4MS1-R-1	
.XX±0.15	.XX±		DWG NO.:	
--	--		JKUN/GCCP-0435	
<input checked="" type="checkbox"/> UNITS: mm			SCALE	SHEET
			1 : 1	1 / 1

A B C D E F