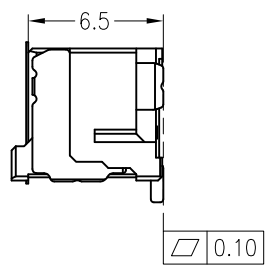
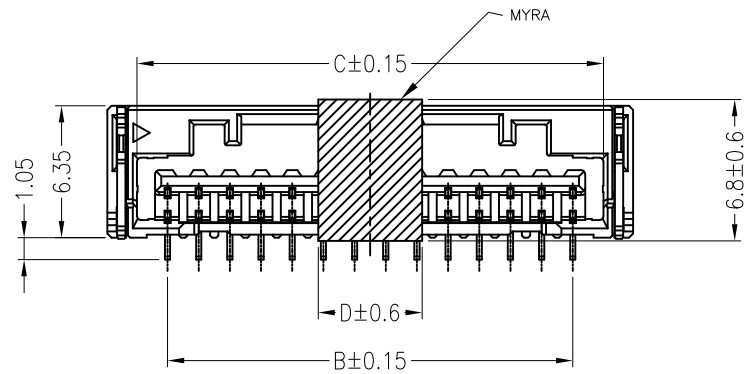
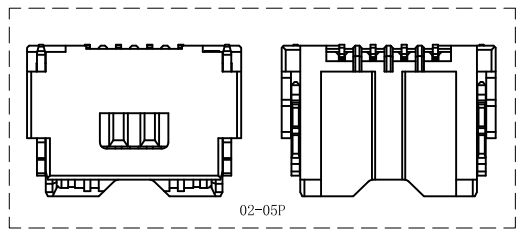
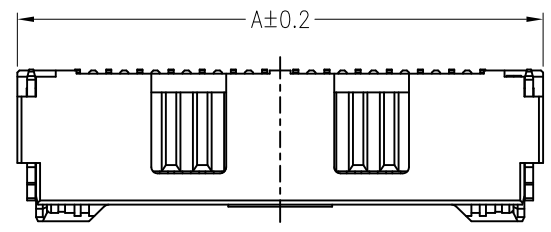


REV	DESCRIPTION	DESIGN	DATE
A0	NEW RELEASE	Steven	2019/07/16



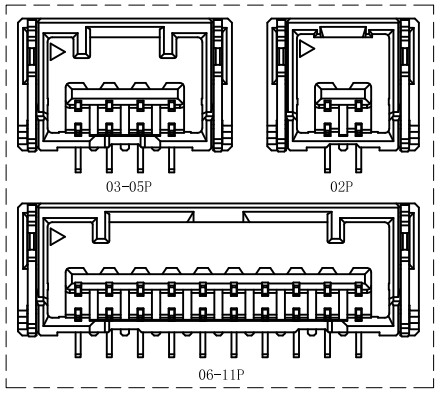
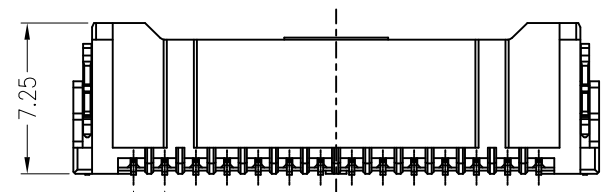
Specifications:
 Contact resistance: ≤20mΩ
 Insulation resistance: ≥500MΩ
 Rated voltage: 100V AC DC
 Rated current: 2.0A AC DC (AWG#24)
 Withstand Voltage: 500V AC/minute
 Temperature Range: -40°C ~ +105°C
 Housing: LCP UL94V-0, Natural (Beige)
 Contacts: Phosphor Bronze/Sn-plated
 Solder Tabs: Brass/Sn-plated

ORDER INFORMATION:

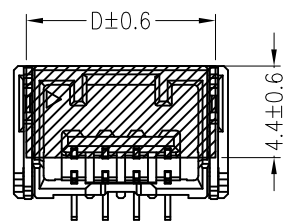
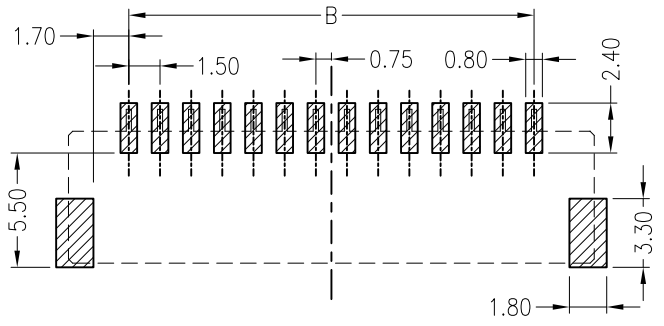
A1506AWV--F4MB1-R-M**

PART No. _____
 No. OF CIRCUITS: _____
 02~15
 PLASTIC MATERIAL: _____
 F4M=LCP(BEIGE)

Special code: M=Myra
 PACKAGING:
 R=REEL
 P=PE
 Metal code:
 1=Phosphor Bronze
 PLATING:
 B=Matte Sn



孔位	尺寸	A	B	C	D	孔位	尺寸	A	B	C	D
2P	7.30	1.50	4.45	6.10	9P	17.80	12.00	14.95	5.00		
3P	8.80	3.00	5.95	7.60	10P	19.30	13.50	16.45	5.00		
4P	10.3	4.50	7.45	9.10	11P	20.80	15.00	17.95	5.00		
5P	11.8	6.00	8.95	10.6	12P	22.30	16.50	19.45	5.00		
6P	13.3	7.50	10.45	12.1	13P	23.80	18.00	20.95	5.00		
7P	14.80	9.00	11.95	13.60	14P	25.30	19.50	22.45	5.00		
8P	16.30	10.50	13.45	5.00	15P	26.80	21.00	23.95	5.00		



JKUN 温州健坤接插件有限公司
WENZHOU JKUN CONNECTOR CO.,LTD.

TITLE: 1.5 Pitch Wafer 180° SMT

GENERAL TOLERANCE		USE: CUSTOMER	PART NO.: A1506AWV-**-F4MB1-R-M
X. ±0.50	X. ±5°	APPD: Wangliang	
X.X ±0.30	X.X ±2°	CHKD: Zenglingqing	SCALE: 1 : 1
X.XX ±0.20	X.XX ±1°	DR: Steven	SHEET: 1 / 1