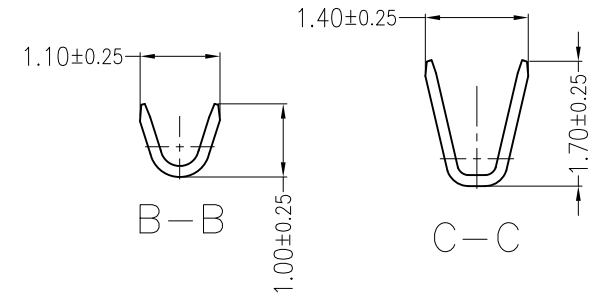
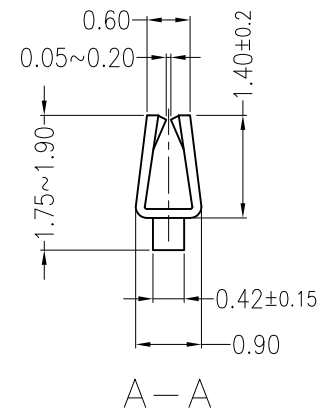
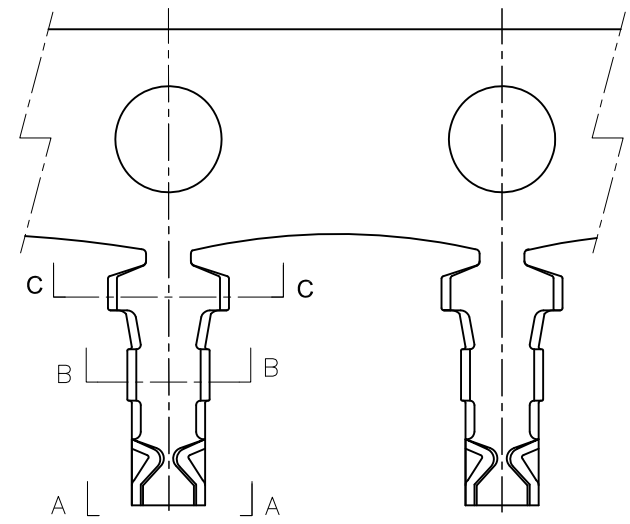
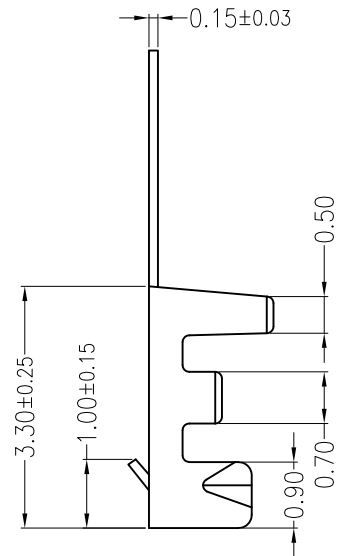


A B C D

E F

REV	ECN No.	DESCRIPTION	DESIGN	DATE
A0		Release	吴丹平	2015.08.08



C				
B				
A	CONTACT	1 PCS	Phosphor bronze	Sn-plated
ITEM	COMPONENT	Q'TY	MATERIAL	FINISH

JKUN 温州健坤接插件有限公司 WENZHOU JKUN CONNECTOR CO.,LTD.			TITLE: - -	
X.±0.5	X.±5'	USE: CUSTOMER	PART NO.:	
.X±0.3	.X±2'		A1251T-02端子	
.XX±0.25	.XX±1'	APPD: 邵敬和	DWG NO.:	
--	--	CHKD: 田峰	JKUN-GCDZ-0002	
⊕	◁	UNITS: mm	DR: 吴丹平	SCALE 1 : 1
				SHEET 1 / 1

Ordering Information & Specification:

Part No	Wire Range	Insulation O.D.	Material	Finish	Qty/Reel
A1251T-02端子	AWG #28~#32	1.00mm(max)	Phosphor bronze	Tin-plated	

A B C D E F