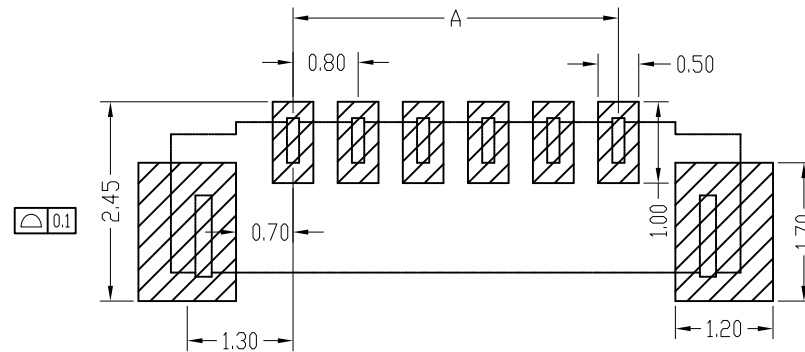


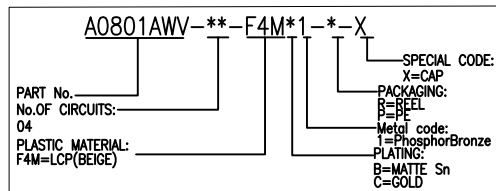
REV	ECN No.	DESCRIPTION	DESIGN	DATE



主要技术参数 Main Specifications

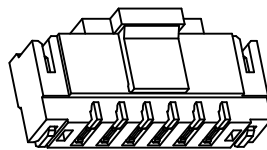
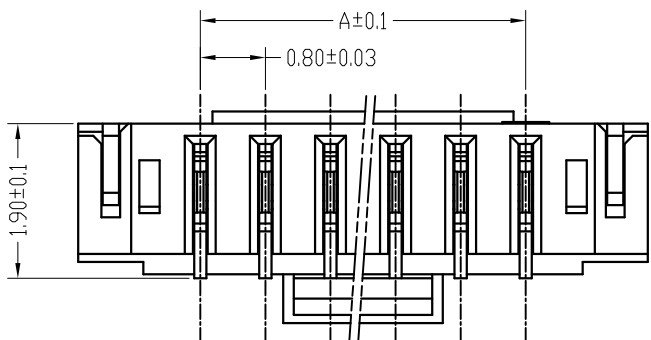
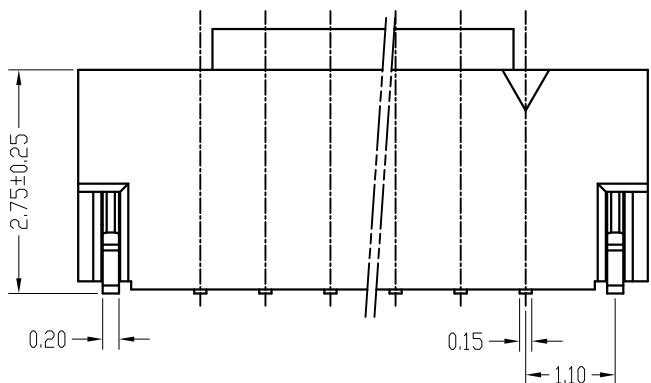
线 数 (Poles): 02 to 25
 接触电阻 (Contact resistance): $\leq 20\text{m}\Omega$
 绝缘电阻 (Insulation resistance): $\geq 100\text{M}\Omega$
 额定电压 (Rated voltage): 30V AC DC
 额定电流 (Rated current): 0.5A AC DC
 耐电压 (Withstand Voltage): 200V AC/minute
 温度范围 (Temperature Range): $-25^\circ\text{C} \sim +85^\circ\text{C}$

ORDER INFORMATION:



PCB LAYOUT

*15	11.2	14.2			
14	10.4	13.4			
*13	9.6	12.6			
12	8.8	11.8			
*11	8.0	11.0	*25	19.2	22.2
10	7.2	10.2	*24	18.4	21.4
9	6.4	9.4	*23	17.6	20.6
8	5.6	8.6	*22	16.8	19.8
7	4.8	7.8	*21	16.0	19.0
6	4.0	7.0	*20	15.2	18.2
5	3.2	6.2	*19	14.4	17.4
4	2.4	5.4	*18	13.6	16.6
3	1.6	4.6	*17	12.8	15.8
2	0.8	3.8	*16	12.0	15.0
孔位	DIM A	DIM B	孔位	DIM A	DIM B



ITEM	COMPONENT	Q'TY	MATERIAL	FINISH
D	CAP	1 PCS	LCP	UL 94V-0, COLOR:BEIGE
C	Solder TAB	2 PCS	PhosphorBronze	Matte Sn
B	CONTACT	n PCS	PhosphorBronze	Matte Sn-plated/GOLD
A	HOUSING	1 PCS	LCP	UL 94V-0, COLOR:BEIGE

JKUN 温州健坤接插件有限公司
WENZHOU JKUN CONNECTOR CO., LTD.

TITLE: A0801AWV-**-**
0.8mmPITCH 180°WAFER SMT TYPE

X.±0.5	X.±5'	USE: CUSTOMER	PART NO.: A0801AWV-**-F4M*1-*-X	
.X±0.3	.X±2'			APPD: 邵敬和
.XX±0.25	.XX±1'			CHKD: 田峰
---	---	DR: 吴丹平	DWG NO.: JKUN-GCCP-0706	
UNITS: mm		SCALE 1 : 1	SHEET 1 / 1	